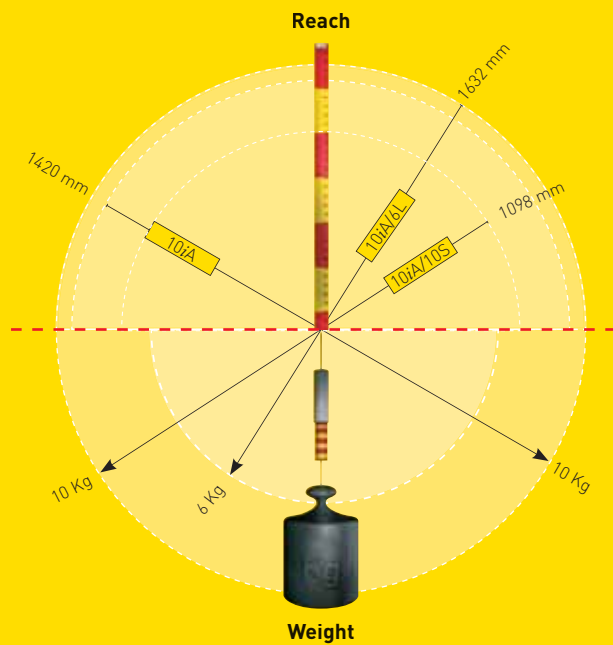


M-10iA SERIES

8

	Robot model	Controller	Controlled axes	Max. load capacity at wrist [kg]	Repeatability [mm]	Mechanical weight [kg]	Reach [mm]	Motion range [°]						Maximum speed [°/s]						J4 Moment [Nm]/ Inertia [kgm ²]	J5 Moment [Nm]/ Inertia [kgm ²]	J6 Moment [Nm]/ Inertia [kgm ²]	IP Rating
								J1	J2	J3	J4	J5	J6	J1	J2	J3	J4	J5	J6				
M-10iA	10iA	R-30iA/ R-30iA Mate	6	10	±0.08	130	1420	340/360	250	445	380	380	720	210	190	210	400	400	600	21.6/0.63	21.6/0.63	9.8/0.15	Body IP54 std. (IP 55 optional) wrist & J3 arm IP67
	10iA/6L		6	6	±0.1	135	1632	340/360	250	447	380	380	720	210	190	210	400	400	600	15.7/0.63	10.1/0.38	5.9/0.061	
	10iA/10S		6	10	±0.05	130	1098	340/360	250	340	380	380	720	220	230	270	410	410	610/720	22/0.63	22/0.63	9.8/0.15	



The M-10iA Series is available in 3 different models:

- M-10iA: 1420 mm, 10 kg payload
- M-10iA/6L: 1632 mm, 6 kg payload, Long arm version
- M-10iA/10S: 1098 mm, 10 kg payload, Short arm version

THE M-10iA SERIES OFFERS A HIGH FLEXIBILITY FOR APPLICATIONS UP TO 10 KG PAYLOADS. IT OFFERS A HIGH SPEED FOR HANDLING, PICK & PLACE AND MACHINE TENDING OPERATIONS.

» FEATURES AND BENEFITS

The M-10iA, the solution for:

- Machine tool loading and unloading
- Material handling for assembly, plastic moulding
- Glueing and sealing
- Cutting, grinding, deburring and polishing
- Packaging, packing

HIGHEST AXES SPEED

Top axes speeds and accelerations: cycle time of 0.72 sec (for 6 kg payload with 25 mm / 300 mm/25 mm) for pick and place movement

- Faster pick and place cycles for high throughput
- Fastest robot in its class

BEST PAYLOAD AND INERTIA IN ITS CLASS

- Best payload in its category, up to 10 kg
- Ideal for loading and unloading applications
- High allowable wrist moments and inertias for complex tools and mounting
- Ability to handle tools at high speed

INTEGRATED CABLE AND SLIM HOLLOW WRIST

- Hollow Wrist (50 mm diameter) and cantilevered J3 arm
- Slimmest wrist interference radius (110 mm) in its class, easier access into narrow spaces
- Cable and hoses routed through J3 arm and wrist axis J6
- The internal dress package also makes it extremely easy to operate and maintain, and ensures a longer cable life
 - No risk of collisions and cable interference inside machines, maximized tool rotation range



SINGLE CABLE BETWEEN ROBOT AND CONTROLLER

- Faster installation
- Reduced spare parts
- Easier maintenance

SLIM ARM AND WRIST ASSEMBLY

- Allows the robot to access and manoeuvres in confined work area
- Reduces the need of the robot to exit the work area to reorientate the tool

STANDARD AIR AND ELECTRICAL CONNECTIONS PROVIDED TO AXIS J3

- Integrated air and electrical services from J1 to J3
- Short connections to tool
 - Increased wiring reliability
 - Proven reliability (factory built)

FLOOR, CEILING (ANGLE AND WALL) MOUNTING METHOD

- Easier access to the machine being serviced
- Easier access to the parts load/unload area
- Allows maximised use of the robot work envelope
- Some restrictions exist for the angle and wall mounting

WRIST AND J4 ARM IP67

- Waterproof wrist can be immersed into water
- Improved reliability in dusty environments
- Suitable for water jet and die cast applications

ADDITIONAL MOUNTING FACILITY ON J3 ARM

Close mounting of gripper control valves providing a quicker gripper response.

MOTORS DIRECTLY COUPLED TO THE REDUCER

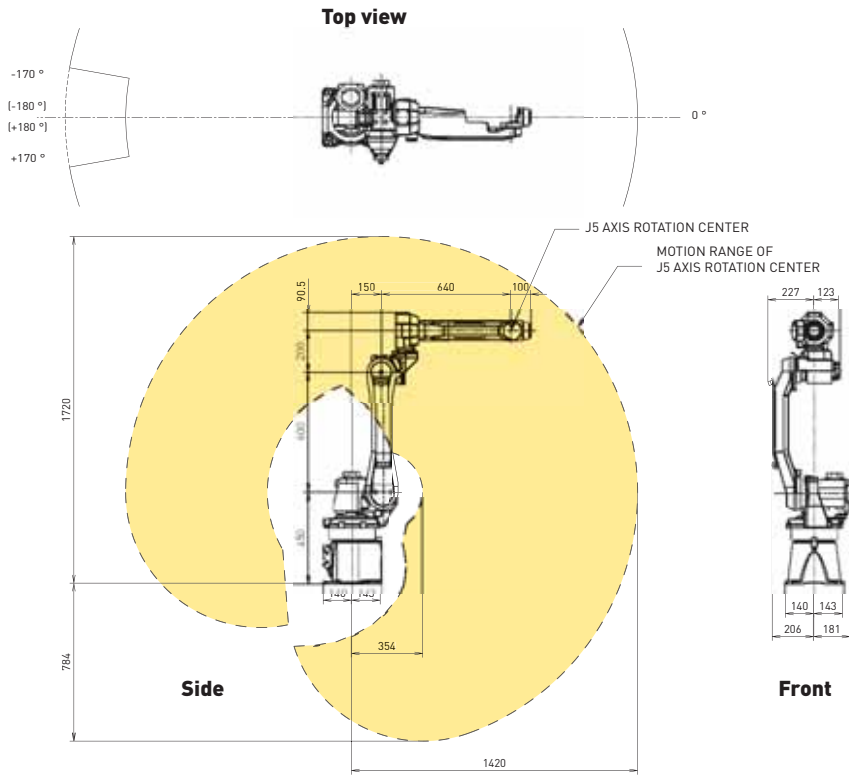
- Simplified mechanical unit
- Reduced breakdown risk
- Compact and reliable solution
- High accuracy and minimum backlash

HOLLOW JOINT CONSTRUCTION FOR REDUCERS

Reduced wear of cable routing as most reducers have hollow construction



M-10iA (Arc Mate 100iC)



M-10iA/6L (Arc Mate 100iC/6L)

